

Lucy 3 Seater Lounge

ⓘ The components are heavy, assembly should be performed by two people.

If you have any difficulty with assembly or operation, please contact the store of purchase in the first instance.

Please read the below safety & electrical instructions before operating

Safety Instructions






- This product is not intended for use by persons (including children) with reduced physical, sensory or mental capabilities, or lack of experience and knowledge, unless they have been given supervision or instruction concerning use of the product by a person responsible for their safety.
- Ensure there is no person, animal or item obstructing the area under the footrest before operating this product.
- Improper use or installation may result in the risk of fire, electric shock and/or injury. We assume no liability for any eventual damages caused by improper use or inappropriate handling, or by any other non-compliance with the instructions in this manual.
- Children should be supervised to ensure that they do not play with the product.
- This product contains moving parts. Keep fingers, hair and body parts well clear from moving parts. To reduce the risk of injury, keep children and pets clear of the product when in use.
- Do not sit or place additional weight on the arms, back or open footrest.
- This product is very heavy. Only move this product by lifting the main body. Never drag by the footrest, back or arm rest.
- Return this product to the full upright position to stand safely and prevent a tripping hazard.
- Do not operate this product if damage is visible in any form.
- Do not modify or use unauthorised substitute parts.
- This product has been designed and intended for indoor residential use only. It is not suitable for commercial or outdoor use.
- This product is not intended to be used as part of a health care plan. Consult your medical professional before operating if you are taking medication or have physical limitations.

Electrical Instructions

- Never force the back or footrest to close faster than the electric motor.
- Before commencing cleaning or maintenance, ensure this product is disconnected from the power outlet and the back is in the full upright position.
- Disconnect this product from the power outlet before moving.
- Cease operation and disconnect from the power outlet if you ever detect a burning odour or smoke coming from the product.
- Do not operate this product if liquid spillage occurs on or around it. Disconnect from the power outlet and allow product to completely dry before reconnecting.
- Do not operate the power functions or charge station with wet hands.
- Check the condition of the power cord, electrical cords, transformer, plug and connector on a monthly basis. Do not operate if wear is visible.
- Ensure the power cord, electrical cords and transformer are clear of moving parts and not trapped underneath the base.
- Position the power cord to minimise a tripping hazard.
- Never attempt to open or disassemble electrical components.
- We recommend the use of a surge protector (not included).

Synargy is a registered responsible supplier on ERAC. Electrical components within our products have been tested to comply with legal requirements imposed for electrical safety and EMC.

Included Components

A	1 x Seat Base		B	1 x LAF Back		C	1 x Center Back	
D	1 x RAF Back		E	1 x Power Supply				

Step 1

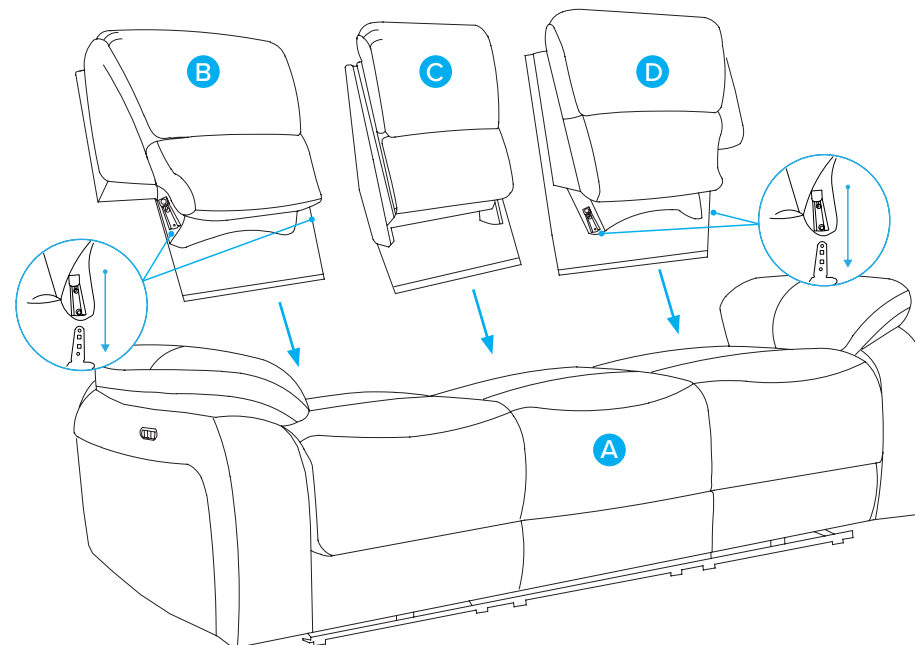
Remove all packaging and set aside in a safe location before disposal or recycling of applicable materials. On the underside of the sofa there is a package containing the power supply - cut the ties to remove the packaging and set the power supply aside. Remove the timber support rails from the seat base using the provided tool.



Scan QR code for a video of this step

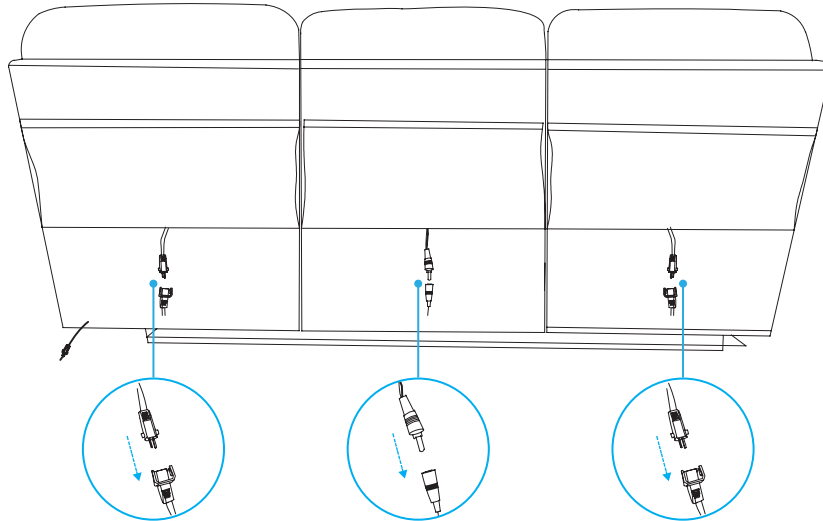
Identify the back rests for left-facing side (**B**), center (**C**) and right-facing side (**D**), and place them facing down on the seat base (**A**).

Lift each back rest individually to align the metal receivers with the metal posts of the chair base. Allow the posts to slide into the receivers and press down firmly on the top of the backrest until a click is heard on each side.



Step 2

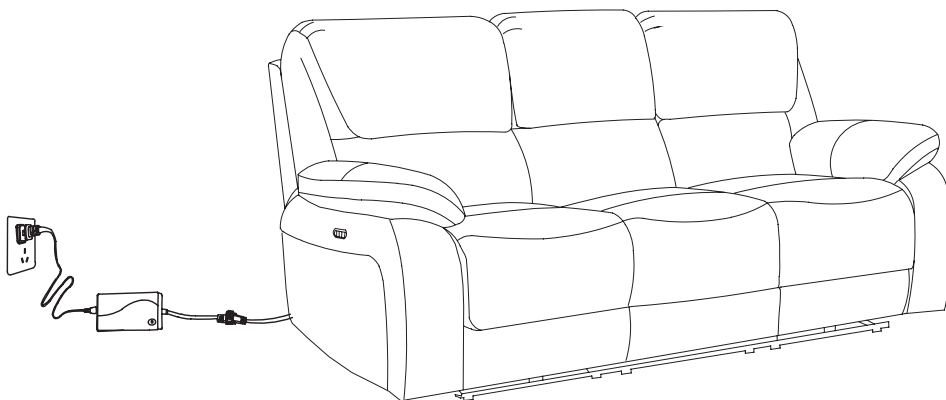
Make the electrical connections in the back of the lounge suite, per below diagram.



ⓘ Make sure all plugs are connected on the product before plugging the power cords into a wall outlet - otherwise product damage may occur. The USB ports (where applicable) are designed with working voltage of 5V and can NOT be used to supply power for laptop computers (neither PC or Mac). Plugging a laptop computer to the USB port may end up damaging either the computer or the USB port due to unmatched working voltage.

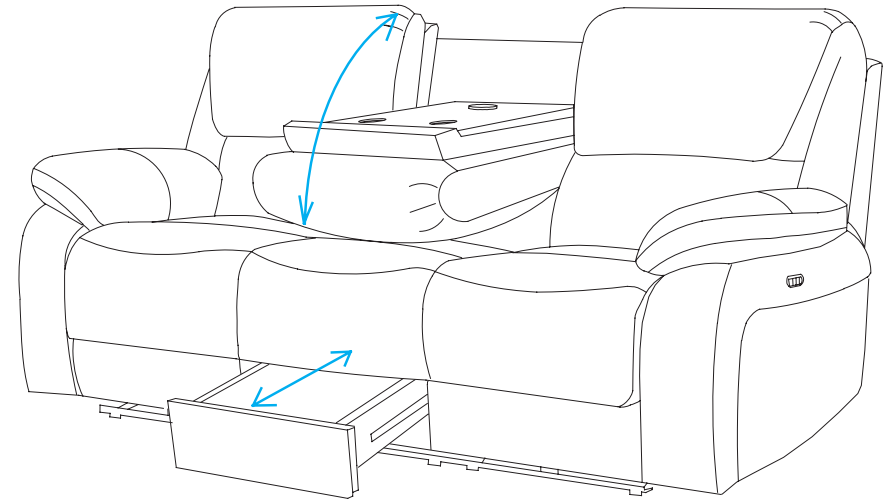
Step 3

Connect the power supply to the back of the suite and plug into a wall outlet.



Step 4

The lounge suite, electrical features, dropdown table and center storage drawer are now ready for use.

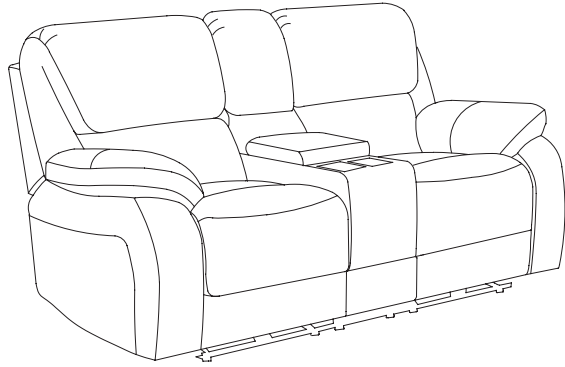


For care and maintenance tips & tricks, videos, and other products please visit our website: www.synargy.com

ASSEMBLY INSTRUCTIONS

LUCY LOUNGE 2 SEATER

MODEL: JF1116



Lucy 2 Seater Lounge

ⓘ The components are heavy, assembly should be performed by two people.

If you have any difficulty with assembly or operation, please contact the store of purchase in the first instance.

Please read the below safety & electrical instructions before operating

Safety Instructions

- This product is not intended for use by persons (including children) with reduced physical, sensory or mental capabilities, or lack of experience and knowledge, unless they have been given supervision or instruction concerning use of the product by a person responsible for their safety.
- Ensure there is no person, animal or item obstructing the area under the footrest before operating this product.
- Improper use or installation may result in the risk of fire, electric shock and/or injury. We assume no liability for any eventual damages caused by improper use or inappropriate handling, or by any other non-compliance with the instructions in this manual.
- Children should be supervised to ensure that they do not play with the product.
- This product contains moving parts. Keep fingers, hair and body parts well clear from moving parts. To reduce the risk of injury, keep children and pets clear of the product when in use.
- Do not sit or place additional weight on the arms, back or open footrest.
- This product is very heavy. Only move this product by lifting the main body. Never drag by the footrest, back or arm rest.
- Return this product to the full upright position to stand safely and prevent a tripping hazard.
- Do not operate this product if damage is visible in any form.
- Do not modify or use unauthorised substitute parts.
- This product has been designed and intended for indoor residential use only. It is not suitable for commercial or outdoor use.
- This product is not intended to be used as part of a health care plan. Consult your medical professional before operating if you are taking medication or have physical limitations.

Electrical Instructions

- Never force the back or footrest to close faster than the electric motor.
- Before commencing cleaning or maintenance, ensure this product is disconnected from the power outlet and the back is in the full upright position.
- Disconnect this product from the power outlet before moving.
- Cease operation and disconnect from the power outlet if you ever detect a burning odour or smoke coming from the product.
- Do not operate this product if liquid spillage occurs on or around it. Disconnect from the power outlet and allow product to completely dry before reconnecting.
- Do not operate the power functions or charge station with wet hands.
- Check the condition of the power cord, electrical cords, transformer, plug and connector on a monthly basis. Do not operate if wear is visible.
- Ensure the power cord, electrical cords and transformer are clear of moving parts and not trapped underneath the base.
- Position the power cord to minimise a tripping hazard.
- Never attempt to open or disassemble electrical components.
- We recommend the use of a surge protector (not included).

Synargy is a registered responsible supplier on ERAC. Electrical components within our products have been tested to comply with legal requirements imposed for electrical safety and EMC.

Included Components

A	1 x Seat Base		B	1 x LAF Back		C	1 x Console Back	
D	1 x RAF Back		E	2 x Power Supply				

Step 1

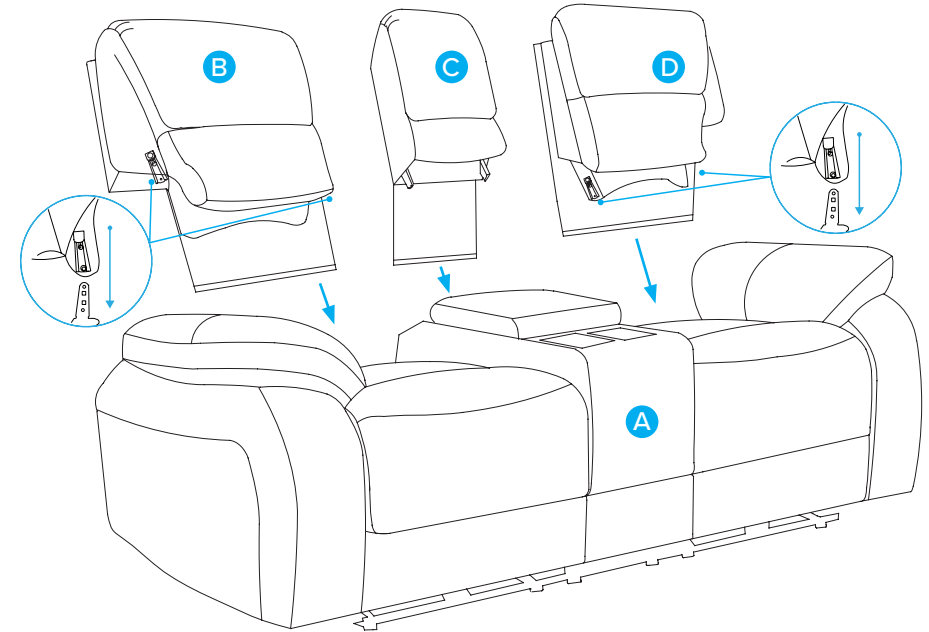
Remove all packaging and set aside in a safe location before disposal or recycling of applicable materials. On the underside of the sofa there is a package containing the power supplies - cut the ties to remove the packaging and set the power supplies aside.



Scan QR code for a video of this step

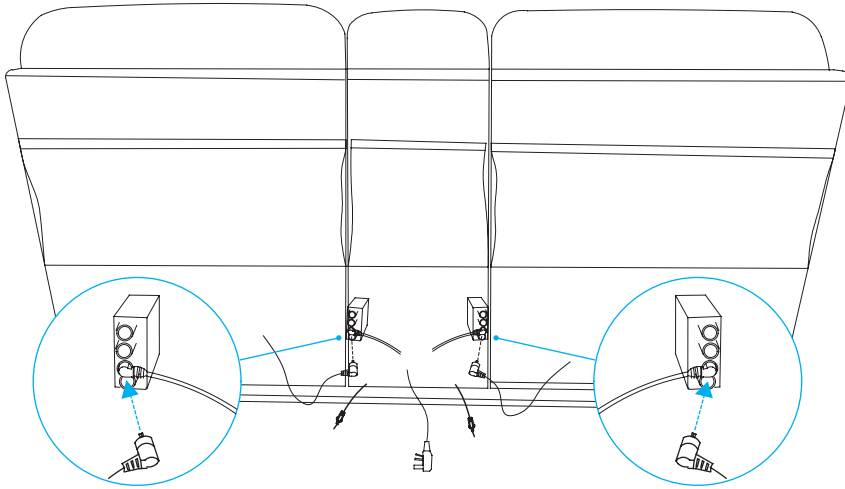
Identify the back rests for left-facing side (**B**), right-facing side (**D**) and console (**C**) and place them facing down on the seat base (**A**).

Lift each back rest individually to align the metal receivers with the metal posts of the chair base. Allow the posts to slide into the receivers and press down firmly on the top of the backrest until a click is heard on each side.



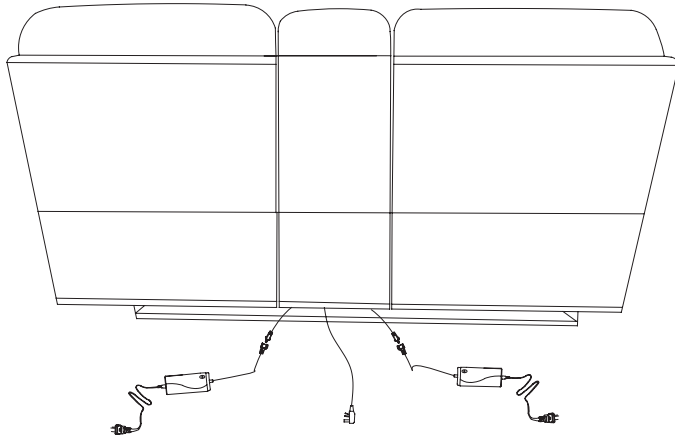
Step 2

Make the electrical connections in the back of the lounge suite, per below diagram.



Step 3

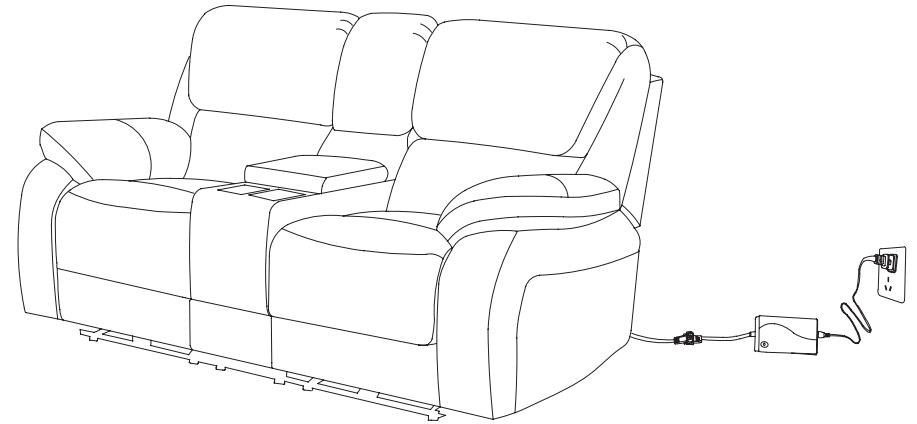
Connect the two power supplies to the remaining available plugs.



⚠ Make sure all plugs are connected on the product before plugging the power cords into a wall outlet - otherwise product damage may occur. The USB ports (where applicable) are designed with working voltage of 5V and can NOT be used to supply power for laptop computers (neither PC or Mac). Plugging a laptop computer to the USB port may end up damaging either the computer or the USB port due to unmatched working voltage.

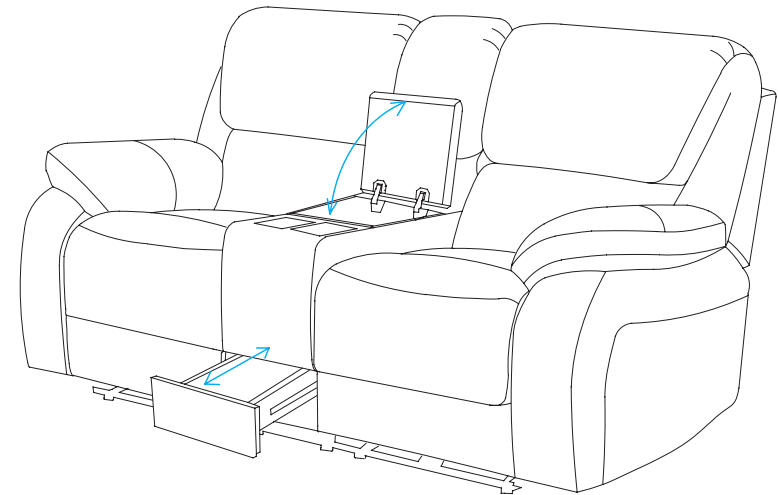
Step 4

Connect the power supplies in the back of the suite into wall outlets.



Step 5

The lounge suite, electrical features and center storage drawers are now ready for use.



For care and maintenance tips & tricks, videos, and other products please visit our website: www.synargy.com

HAND CONTROLLER USER GUIDE

Lucy 2 Seater Lounge

PUSH

Push Panel

Press the Push panel to hide the wireless charger away and access the cooling cupholder. To restore the wireless charger into position, simply press the control panel forward and the wireless charger will swing down



COOL

Cool Button

Press the Cool Button to toggle the cupholder cooling function on and off



OPEN

Open Button

Press and hold the Open button to recline the seat back, and raise the footrest. Release button to stop in desired position



CLOSE

Close Button

Press and hold the Close button to raise the seat back, and close the footrest away. Release button to stop in desired position

HEAD

UP

Head Up Button

Press the Head Up button to adjust the headrest position upwards

HEAD

DOWN

Head Down Button

Press the Head Down button to adjust the headrest position downwards



LOCK

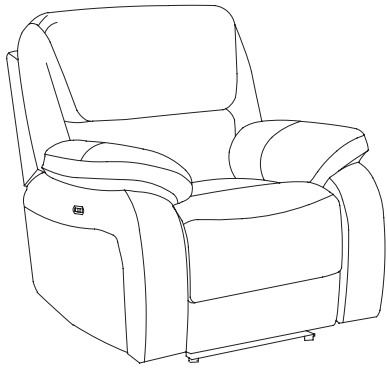
Lock Button

Press the Lock button to lock the seat position in place and prevent accidental button presses



Wireless Charging

Place your wireless charging compatible device on the wireless charging pad to charge the battery



Lucy Recliner Chair

ⓘ The components are heavy, assembly should be performed by two people.

If you have any difficulty with assembly or operation, please contact the store of purchase in the first instance.

Please read the below safety & electrical instructions before operating

Safety Instructions




- This product is not intended for use by persons (including children) with reduced physical, sensory or mental capabilities, or lack of experience and knowledge, unless they have been given supervision or instruction concerning use of the product by a person responsible for their safety.
- Ensure there is no person, animal or item obstructing the area under the footrest before operating this product.
- Improper use or installation may result in the risk of fire, electric shock and/or injury. We assume no liability for any eventual damages caused by improper use or inappropriate handling, or by any other non-compliance with the instructions in this manual.
- Children should be supervised to ensure that they do not play with the product.
- This product contains moving parts. Keep fingers, hair and body parts well clear from moving parts. To reduce the risk of injury, keep children and pets clear of the product when in use.
- Do not sit or place additional weight on the arms, back or open footrest.
- This product is very heavy. Only move this product by lifting the main body. Never drag by the footrest, back or arm rest.
- Return this product to the full upright position to stand safely and prevent a tripping hazard.
- Do not operate this product if damage is visible in any form.
- Do not modify or use unauthorised substitute parts.
- This product has been designed and intended for indoor residential use only. It is not suitable for commercial or outdoor use.
- This product is not intended to be used as part of a health care plan. Consult your medical professional before operating if you are taking medication or have physical limitations.

Electrical Instructions

- Never force the back or footrest to close faster than the electric motor.
- Before commencing cleaning or maintenance, ensure this product is disconnected from the power outlet and the back is in the full upright position.
- Disconnect this product from the power outlet before moving.
- Cease operation and disconnect from the power outlet if you ever detect a burning odour or smoke coming from the product.
- Do not operate this product if liquid spillage occurs on or around it. Disconnect from the power outlet and allow product to completely dry before reconnecting.
- Do not operate the power functions or charge station with wet hands.
- Check the condition of the power cord, electrical cords, transformer, plug and connector on a monthly basis. Do not operate if wear is visible.
- Ensure the power cord, electrical cords and transformer are clear of moving parts and not trapped underneath the base.
- Position the power cord to minimise a tripping hazard.
- Never attempt to open or disassemble electrical components.
- We recommend the use of a surge protector (not included).

Synargy is a registered responsible supplier on ERAC. Electrical components within our products have been tested to comply with legal requirements imposed for electrical safety and EMC.

Included Components

A	1 x Seat Base		B	1 x Back		C	1 x Power Supply	
---	---------------	---	---	----------	---	---	------------------	---

Step 1

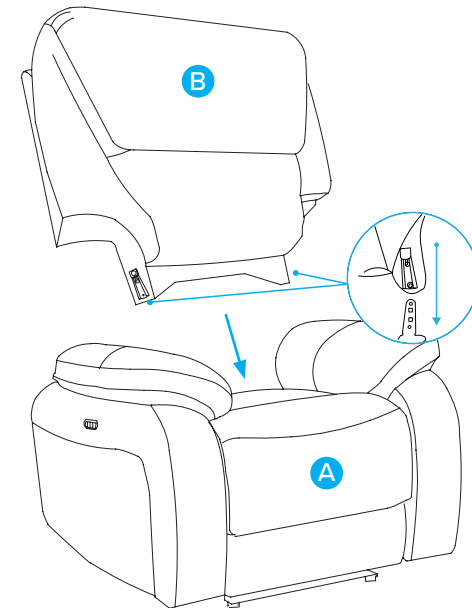
Remove all packaging and set aside in a safe location before disposal or recycling of applicable materials. On the underside of the sofa there is a package containing the power supply - cut the ties to remove the packaging and set the power supply aside.



Scan QR code for a video of this step

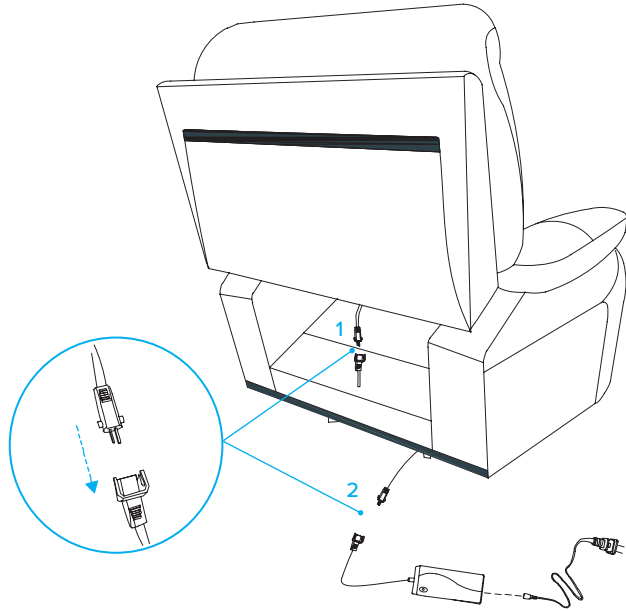
Identify the back rests (B), and place it facing down on the seat base (A).

Lift the back rest to align the metal receivers with the metal posts of the chair base. Allow the posts to slide into the receivers and press down firmly on the top of the backrest until a click is heard on each side.



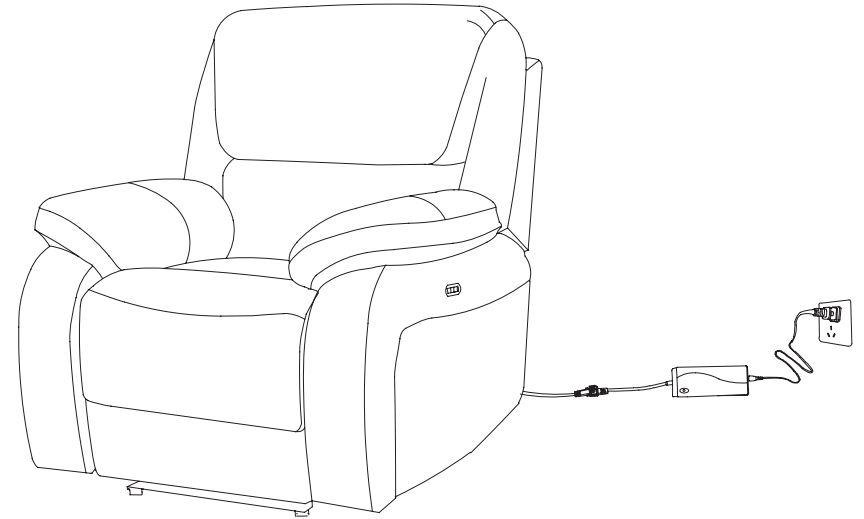
Step 2

Make the electrical connection in the back of the recliner chair, per below diagram. Make the connection between the seat base and seat back first, followed by the connecting the power supply second.



Step 3

Connect the power supply in the back of the chair into a wall outlet. The recliner chair is now ready to use.



For care and maintenance tips & tricks, videos, and other products please visit our website: www.synargy.com

ⓘ Make sure all plugs are connected on the product before plugging the power cords into a wall outlet - otherwise product damage may occur. The USB ports (where applicable) are designed with working voltage of 5V and can NOT be used to supply power for laptop computers (neither PC or Mac). Plugging a laptop computer to the USB port may end up damaging either the computer or the USB port due to unmatched working voltage.